

# VW T1 BUS Portable BBQ Grill - Stainless Steel BUBG01

**Instruction Manual - carefully follow the instructions to assemble the BBQ grill for use!**

The BBQ Grill includes:

- Stainless steel case and charcoal tray
- Chromed steel cooking and charcoal grills



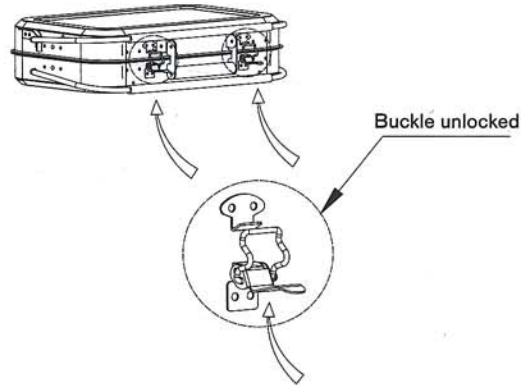
## Step 1:

Remove all outer packaging from the case.



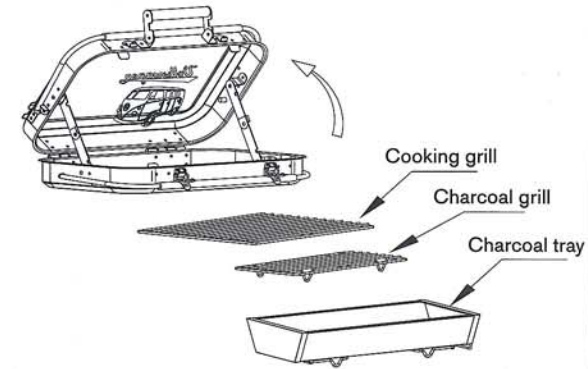
## Step 2:

Unlock the buckles where the arrow indicates.



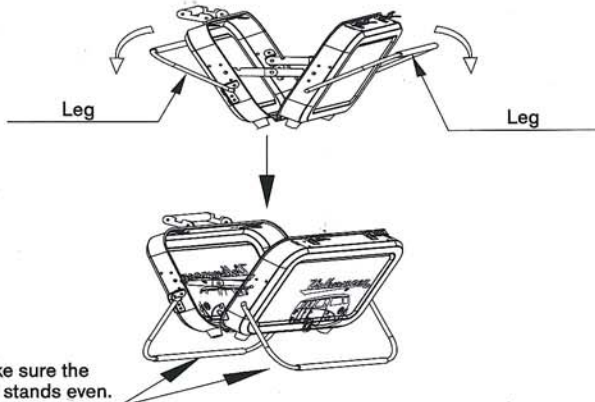
## Step 3:

Open the grill case, remove all parts inside.



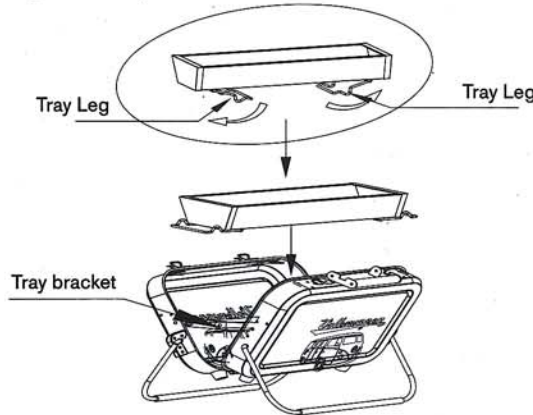
## Step 4:

Unfold the legs to the right position.



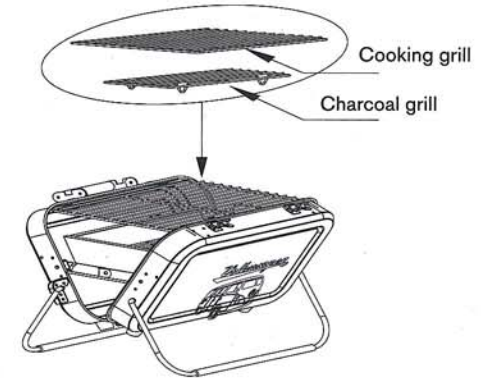
## Step 5:

Unfold the tray legs, then rest the tray on the grill's tray bracket.



## Step 6:

Place the charcoal grill into the tray, then add charcoal and light. Once the charcoal is lit, place the cooking grill on top of the open case.



## WARNING:

Keep away from children and pets while using. Intended only for adults.

Only use the grill in the open position, always on a non-flammable surface. Do not use indoors or in confined spaces. Risk of fatality from carbon monoxide poisoning!

Do not move the grill or touch grill body when hot, to avoid burns!

Do not leave burning coals unattended!

Do not pour any liquid into burning charcoal, such as spirit or petrol!

Make sure the fire is completely out before leaving.

Do not store or transport while steel is hot.

For environmental protection, please take away all rubbish.

VW Collection  
by BRISA



[www.brisa.com](http://www.brisa.com)

BRISA Entertainment GmbH  
D - 85462 Reisen • Hauptstr. 6